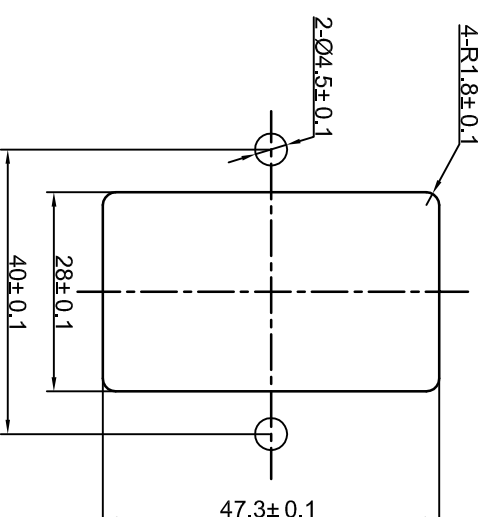
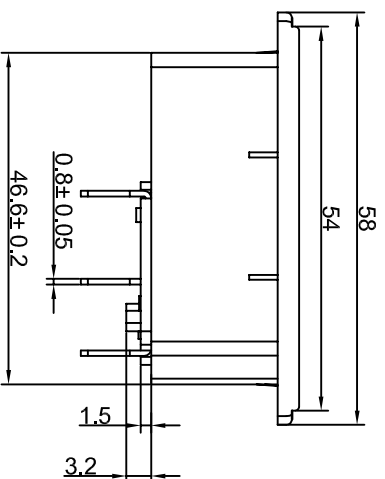
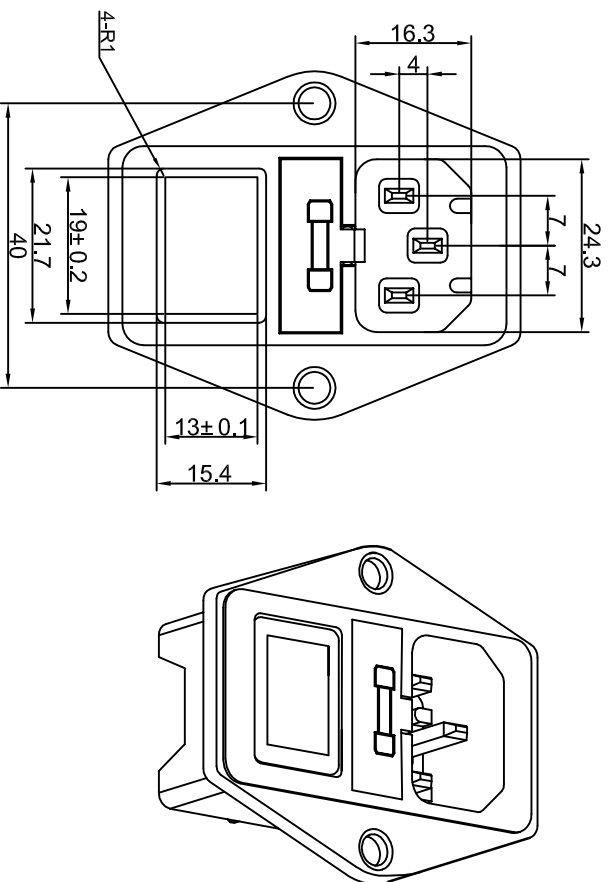




宏聚电子五金制品有限公司

HONGJU ELECTRONIC & METAL PRODUCTS CO.,LTD

S-03F-11S-4




CUT-OUT

Rating: 10A 250V AC (UL CUL VDE CCC)

Insulation Resistance: DC 500V 100MΩ Min.

Dielectric Strength: AC2000V 1 minute

Fuse:Ø5.0x20mm 

MATERIAL:

Body: PBT

Terminal: Brass, Silver or Tin plated



| | | | | | | |
|-------------------------|-------------|-------------------------|------------|---------------|-------------------|---------------|
| 公差 TOLERANCES | | .X±0.3 | .XX±0.15 | 角度 ANGLE ±1° | 单位 DIMENSION UNIT | mm. |
| 版本 VERSION | A0 | 比例尺 SCALE | NONE | 日期 DATE | 品名 TITLE | 图号 DRAWING NO |
| 批准 APPROVED BY | Xinchao_Lee | 核对 CHECKED BY | Gokey_Guo | 绘图 DATE | S-03F-11S-4 | |
| 日期 DATE | 2008.07.08 | ECN NO. | N/A | 核对 CHECKED BY | S-03F-11S-4_A0 | |
| 变更说明 CHANGE DESCRIPTION | New Issue | 日期 DATE | 2008.07.08 | 核对 CHECKED BY | S-03F-11S-4_A0 | |
| 版本 VER. | A0 | 变更说明 CHANGE DESCRIPTION | New Issue | 日期 DATE | S-03F-11S-4_A0 | |